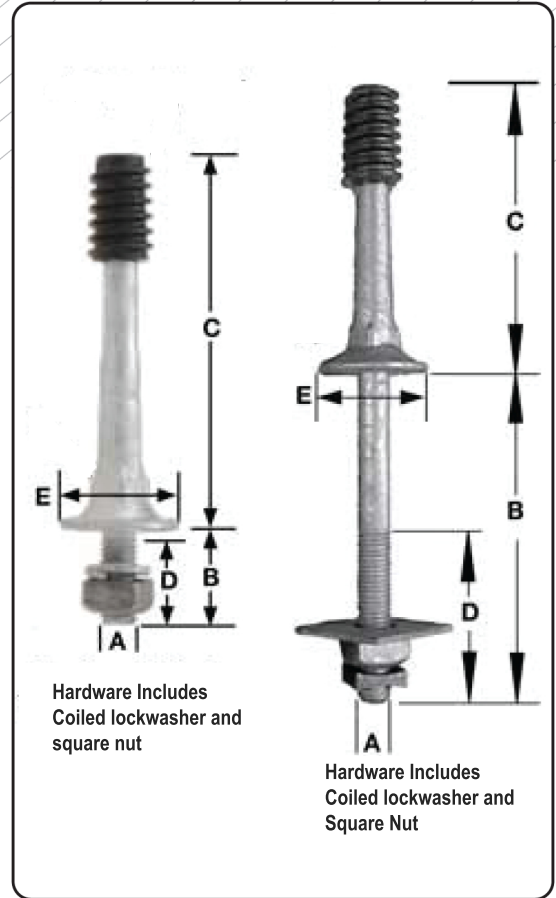
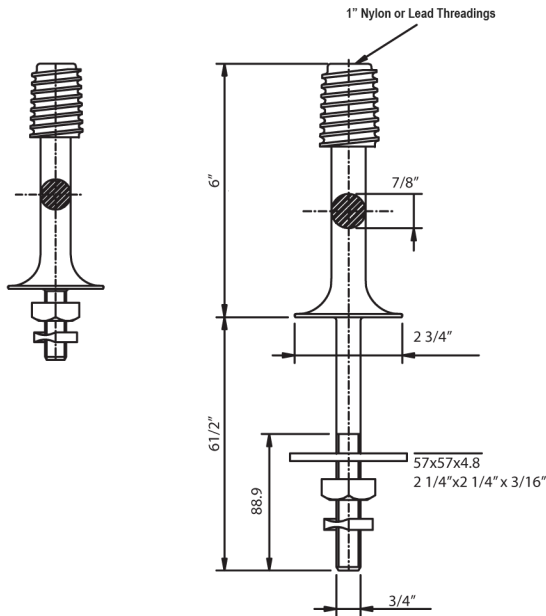




## Crossarm Pin



### Crossarm

Long Shank for Wood or Composite Crossarms

Short Shank for Steel Crossarms

1" ANSI Standard Threads Galvanized per ASTM A153

The forged design of low voltage insulator pins includes flats for wrench engagement and a wide base to distribute load stresses.

- Hot dip galvanized to meet ASTM Specification