



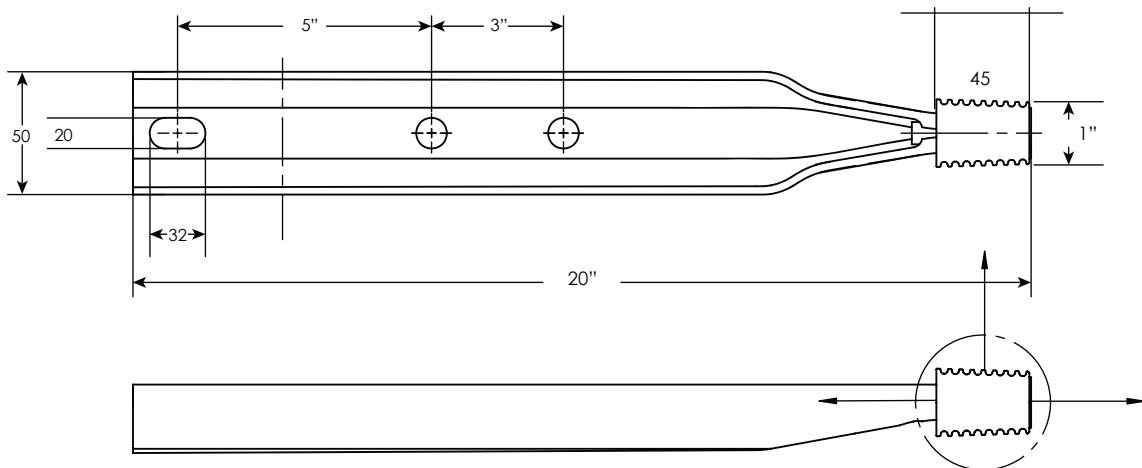
PIN POLE TOP



Catalog Number	Length Inch	Guage(mm)
LIGHT TPYE		
PBS520L	20	6
PBS526L	26	6
PBS528L	28	6
PBS530L	30	6
HEAVY TPYE		
PBS526H	26	4.5
PBS528H	28	4.5
PBS530H	30	4.5

Flared Base Pole Top

The flared based design provides a wider, more solid bearing surface when mounted with the flange against the pole.
For longspan construction.



- Hot dip galvanized to meet ASTM Specification