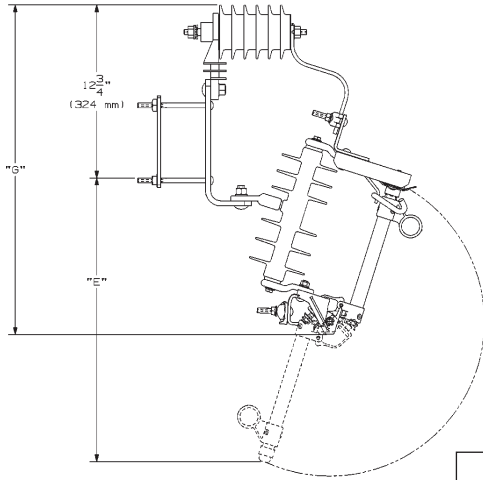
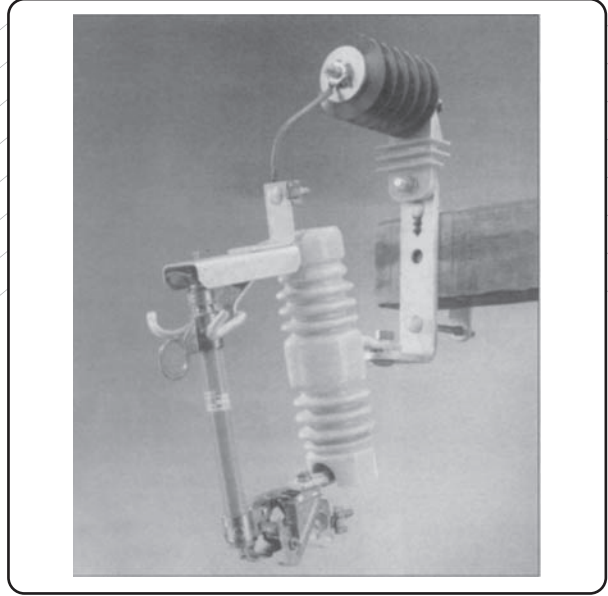




RURAL CUT OUT AND ARRESTER, COMBINATION TYPE (15 kv Class)

Product features

- 7.8 kV, 15 kV, 15/27 kV, 27 kV, or 38 kV on 100 A
7.8 kV, 15 kV, and 15/27 kV only on 200 A
- 110, 125, 150, 170, or 180 kV BIL
180 kV BIL available as V silicone only
- 100 A, 200 A continuous current fused and up to 16 kA interrupting current on 15 kV, 100 A only
- 300 A disconnect blade
- Porcelain, polymer concrete, or silicone insulators available
- Seacoast design
- Cutout/arrester combo
- Kick-out spring available for the 100 A tube only



Arrester combinations

M&P offers a combination cutout with an arrester option. This combination unit is pre-assembled at the factory and provides overall savings by reducing installation time and accumulated costs that result from independently purchased parts.

Combination units are available with various mounting brackets to fulfill industry requirements. The combo units are equipped with normal duty, heavy duty, or riser pole polymer metal oxide arresters.

