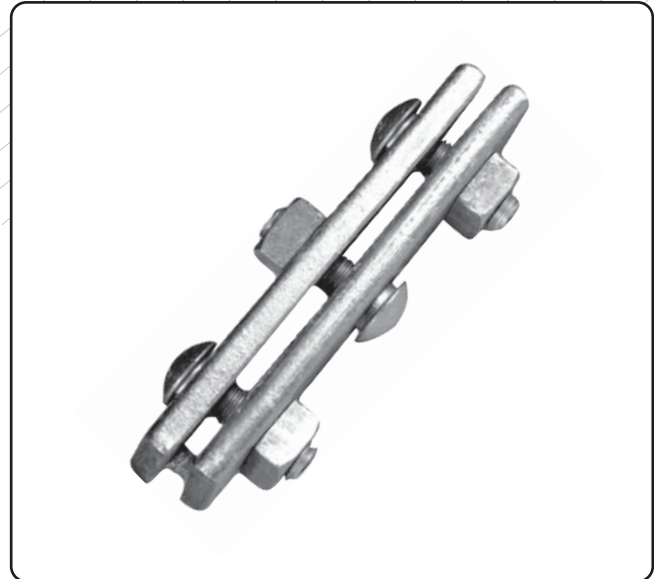
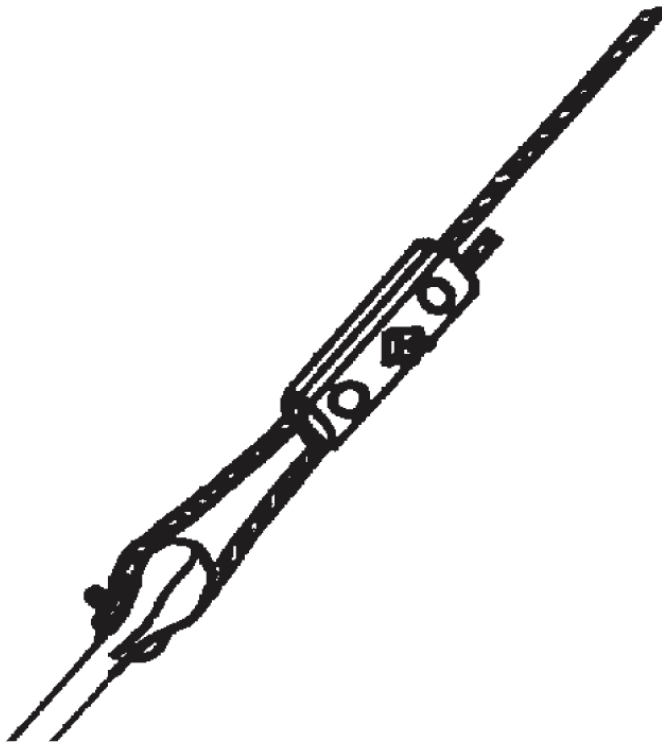




Guy - Clamp



Parallel grooves grips strand tightly without compromising. Plate halves align evenly for easy application. Each bolt has a shoulder to prevent turning while tightening. Hot dip galvanized.

CATALOG NUMBER	No. of Bolts	Length	Width	STR. Size accepts
MP641-3	3	6	1-21/32	5/6 to 1/2
MP644-3	3	4	1-9/16	1/4 to 7/16
MP645-3	3	6	1-9/16	1/4 to 7/16