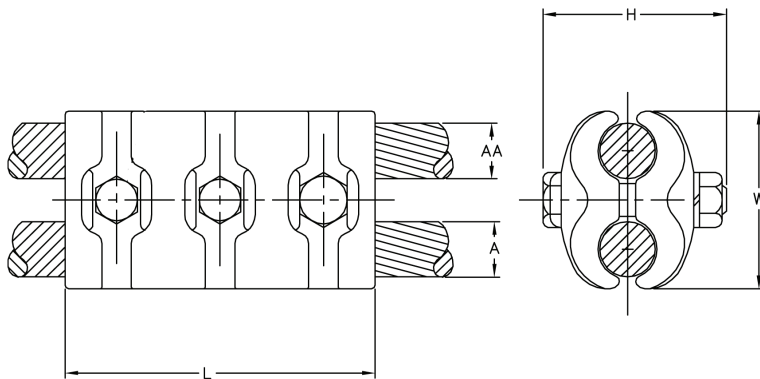




AL - Clamp

High strength, high conductivity aluminum body and hardware provide corrosion resistant assembly.
Recommended for tap or parallel connections



29A	25A	CP29A26A	1	4.00	2.82	1/2-13	2.09	300	3/4
29A	26A	CP29A26A	1	4.00	2.82	1/2-13	2.09	300	3/4
29A	27A	CP29A27A	1	4.00	2.82	1/2-13	2.09	300	3/4
29A	28A	CP29A28A	1	4.00	2.82	1/2-13	2.09	300	3/4
29A	29A	CP29A29A	1	4.00	2.82	1/2-13	2.09	300	3/4
34A	30A	CP34A30A	2	5.00	3.07	1/2-13	2.53	300	3/4
34A	31A	CP34A31A	2	5.00	3.07	1/2-13	2.53	300	3/4
34A	32A	CP34A32A	2	5.00	3.07	1/2-13	2.53	300	3/4
34A	34A	CP34A34A	2	5.00	3.07	1/2-13	2.53	300	3/4

CATALOG NUMBER	No. of Bolts	Length	Width	STR. Size accepts
MP641-3	3	6	1-21/32	5/6 to 1/2
MP644-3	3	4	1-9/16	1/4 to 7/16
MP645-3	3	6	1-9/16	1/4 to 7/16