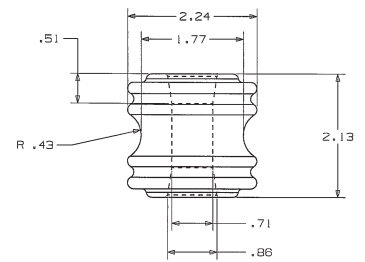
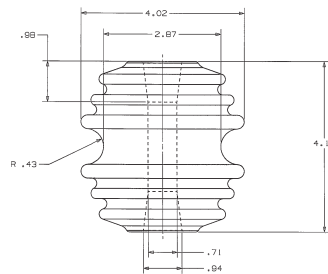
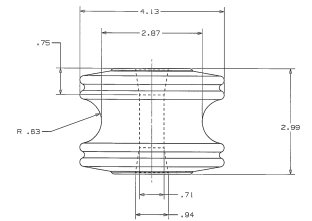
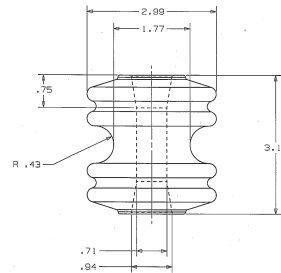
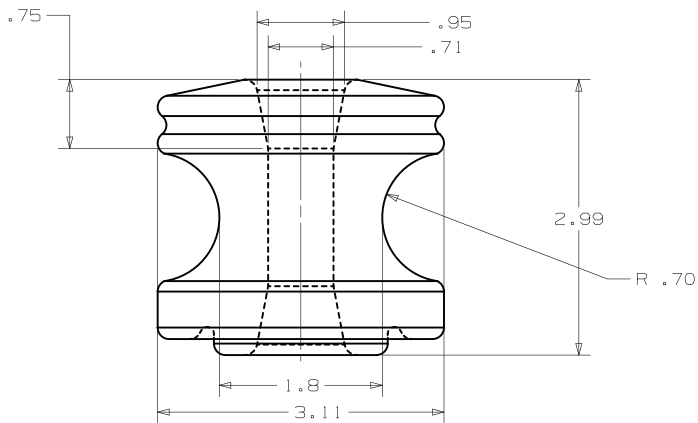




SPOOL INSULATOR ANSI 53-2



Technical Data	
Main Dimension:	
Height	76
height	38
Diameter	79
diameter	45
d1	18
d2	24
R	18
Mechanical Failing Load/kN	13.3
Electrical Values:	
Low Frequency Dry Flashover	25kv
Low Frequency Wet Flashover Vertical	12kv
Low Frequency Wet Flashover Horizontal	15kv
Visual and Dimension Inspection According to IEC383	

Catalog Number	ANSI Class	Colour	Ultimate Strength (lbs)	Bolt Size
MP531F	53-1	Sky Glaze Gray	2000	5/8
MP532F	53-2	Brown Glaze	3000	5/8
MP533F	53-3	Sky Glaze Gray	4000	5/8
MP534F	54-4	Sky Glaze Gray	4500	5/8
MP535F	54-5	Sky Glaze Gray	6000	5/8