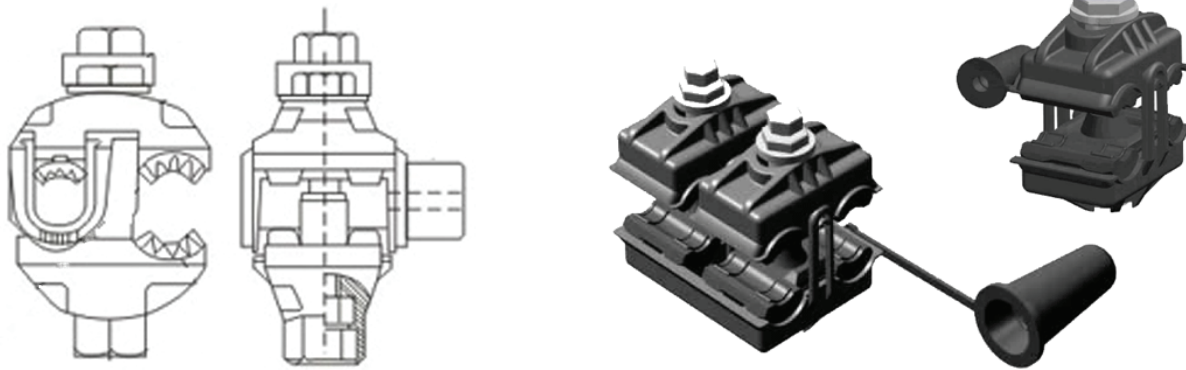




## PIERCING CONNECTOR



M&P Piercing connectors are made of hard copper and tin-plated stainless steel bolt and strong jaws to withstand the piercing and to maximize the electrical flow with double of single bolt piercing. Perfect for all weather conditions for long life rubber end caps.

| No.    | Description        |
|--------|--------------------|
| MPP30  | 10-95 Type 1       |
| MPP40  | 10-150 Type 1      |
| MPP50  | 16-95 Type 1 or 2  |
| MPP55  | 16-150 Type 1 or 2 |
| MPP60  | 25-150 Type 1 or 2 |
| MPP70  | 50-240 Type 1 or 2 |
| MPP150 | 35-150 Type 1 or 2 |
| MPP240 | 70-240 Type 1 or 2 |

