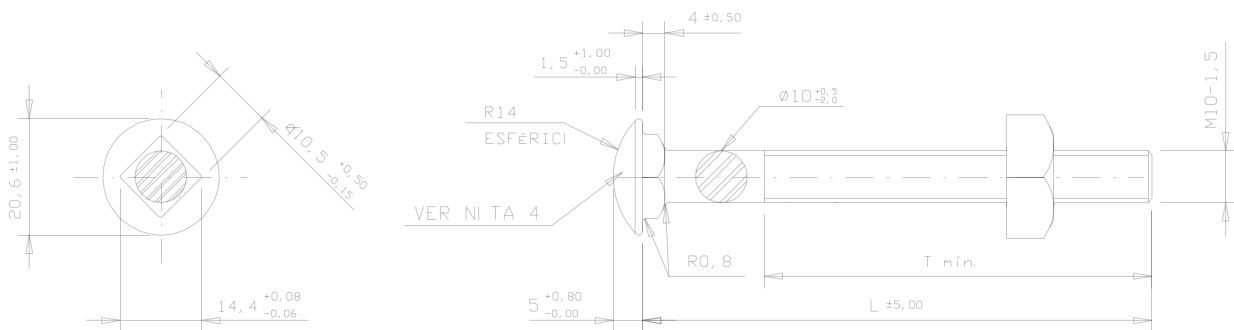




Carriage Bolt



3/8" Thread Dia.

Catalog Number	Length	Thread Length
PM8634	4"	3"
PM8635	4 1/2"	3"
PM8636	5"	3"
PM6TA23	6"	3"
PM8TA23	7"	3"
PM10TA23	8"	3"
PM12TA23	10"	3"
PM15TA23	12"	3"
PM20TA23	14"	3"

1/2" Thread Dia.

Catalog Number	Length	Thread Length
PM864412	4 1/2"	3"
PM8645	5"	3"
PM86453	5-1/2"	3"
PM8646	6"	3"
PM88647	7"	4"

All Carriage bolt are hot dip galvanized and rolled threaded with square shoulder and furnished with square nut. Manufactured in accordance with ANSI standards.

Finish: Hot Dip Galvanized

Size: 3/8", 1/2", 5/8", 3/4", 7/8"

Length: as per customer request.

