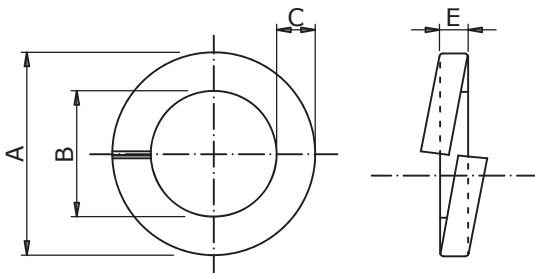




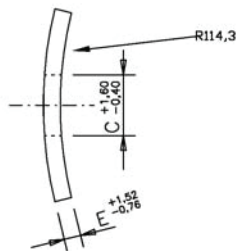
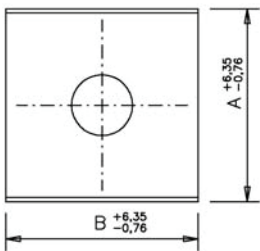
WASHER

Finish: Hot dip galvanised steel.

LOCK WASHER



Catalog Number	Size Section Inch	Bolt Diameter Inch
PS0938LW	0.141X0.094	3/8
PS0912LW	0.171X0.0125	1/2
PS0958LW	0.203X0.156	5/8
PS0934LW	0.234X0.188	3/4

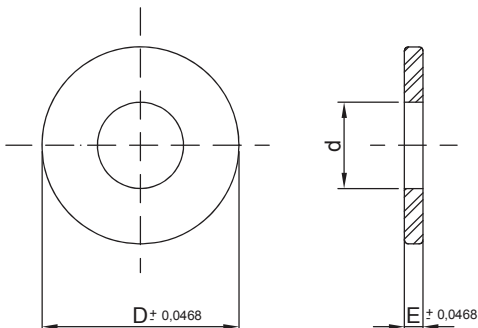


WASHER SQUARE CURVED



Catalog Number	Size Inch	Hole Diameter Inch	Bolt Diameter Inch
PBS08F2-01	2X2X1/8	9/16	1/2
PBS08F2-02	2X2X1/8	11/16	5/8
PBS08F2-03	2X2X3/16	11/16	5/8
PBS08F2-04	2X2X3/16	13/16	3/4
PBS08F2-05	2-1/2X2-1/2X3/16	11/16	5/8
PBS08F2-06	2-1/2X2-1/2X3/16	13/16	3/4
PBS08F2-07	2-1/4X2-1/4X3/16	11/16	5/8
PBS08F2-08	2-1/4X2-1/4X3/16	13/16	3/4
PBS08F3-01	3X3X3/16	11/16	5/8
PBS08F3-02	3X3X3/16	13/16	3/4
PBS08F4-01	4X4X1/4	11/16	5/8
PBS08F4-02	4X4X1/4	13/16	3/4
PBS08F4-03	4X4X1/2	11/16	5/8

ROUND WASHER



Catalog Number	Outside Diameter Inch	Thickness Diameter Inch	Hole Diameter Inch	For Bolt Diameter Inch
PBS0838R	1	14	7/16	3/8
PBS0838R1	1-1/4	14	9/16	3/8
PBS0812R	1-3/8	12	9/16	1/2
PBS0858R	1-3/4	10	11/16	5/8
PBS0834R	2	9	13/16	3/4