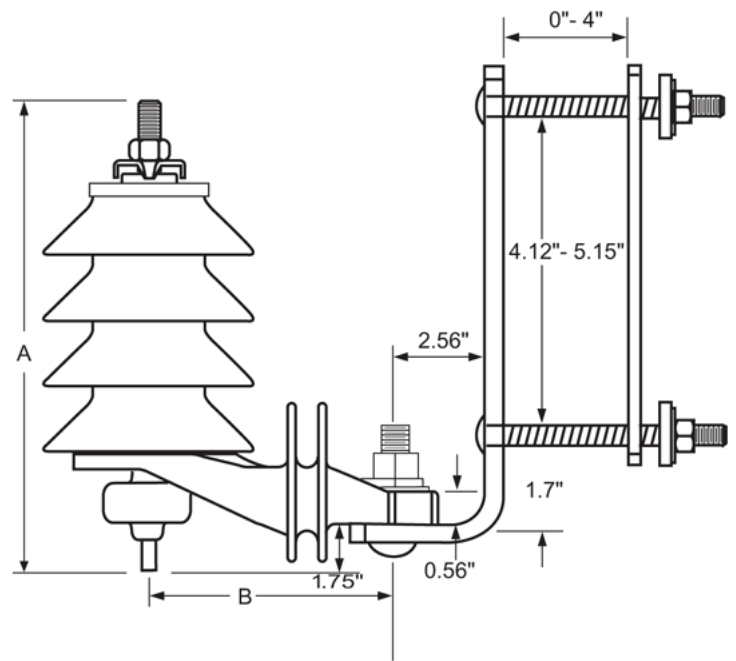
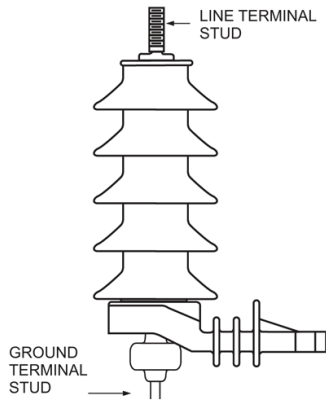




Surge Arrester



M&P Sureg Arresters is state of the art.

It consists of a special metaloxide surge arrester in parallel with line insulation.

During a surge, the metal-oxide arrester limits the voltage across the insulation

The value below the insulator flashover voltage. Therefore, the lightning surge current is diverted to ground in a controlled manner and the insulation is left intact.

The system works for direct lightning strokes to phase conductors and for backflash

attributed to poor grounding and capacitive coupling. See www.meterandpower.com for complete listings of size requirements.